

## The Digital World — Your Options

The advent of digital imaging has created an overwhelming interest on the part of many veterinarians. As with radiographic equipment, there are multiple choices in capturing digital images. The following are brief descriptions of three of those options.

### ■ CR - Computed Radiography

#### **Kodak Direct View CR500**

An image is created using a cassette containing a phosphor plate that replaces the conventional cassette with intensifying screens. The cassette with phosphor plate is placed in the cassette tray. Once the exposure is made, the cassette is removed from the table and placed into the Kodak Direct View CR500 reader that scans and digitizes the image. The digital image is displayed on the monitor within 30 to 40 seconds. After the image has been digitized, the plate is then automatically erased for reuse. The Kodak Direct View CR500 automatic erase feature eliminates the need to place the cassette in one compartment to read and in another compartment to erase as required by some CR units.

### ■ DR/CCD - Charged Coupled Device Radiology

*DVChoice™* utilizes a digital image receptor, similar to a digital camera. The digital receptor is energized by the x-ray beam and read by a high resolution camera. The image is displayed on a monitor within 7 to 10 seconds. The CCD receptor mounts into the base of the *DVChoice™* table and moves along the table base. The CCD receptor is coupled with the tubestand to provide the ability to move the CCD receptor and x-ray beam rather than have to jostle the patient in the imaging path. Patient positioning is further enhanced when the optional float top table is added.

### ■ DR - Digital Radiography, Direct Panel Detector

With DR, an electronic detector is mounted in the table. After making an exposure, the detector directly captures the image, which is then displayed on the monitor in 7 to 10 seconds. Once the image is captured, the detector is then ready for the next view.

Contact us at **800-800-6006** or your local Universal dealer to discuss the DR options available.

Clearly there are many advantages to digital imaging. For most, the ability to manipulate and share the image electronically along with elimination of the darkroom are on the top of the list of reasons to consider digital imaging. Digital imaging is quickly taking hold in the veterinary market as costs have declined and the need for productivity has increased in the last year.

Universal has been providing digital imaging systems for several years. Your digital future is bright with *DVChoice™*!



## Excellence Comes Standard

### Good Choice Single-Phase Generator Specifications

- Output: 400 mA, 125 kVp, single phase.
- mA Stations: Four, dedicated for small animal practitioners. 50 and 100 mA on small focal spot for detail and 300 and 400 mA on large focal spot to reduce exposure time.
- Time Stations: Thirteen stations from 1/120th to 1 second provide fine tuning of techniques for rare earth imaging.
- Automatic Compensation of mA and kVp: Eliminates the need to manually adjust for line voltage fluctuations.
- Automatic tube protection circuitry
- Input voltage requirements: 208 - 277 volt single phase.

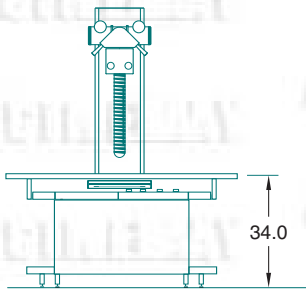
### Better Choice High-Frequency Generator Specifications

- Output: 500 mA - 125 kVp
- kW Rating: 30 kW
- mAs Range: 1.0 - 500 mAs
- Automatic line voltage compensation
- Automatic tube protection circuitry
- Input voltage requirements: 208 - 277 volt single phase or 208 - 480 volt three phase
- Digital readout of kVp & mAs selection and elapsed exposure time

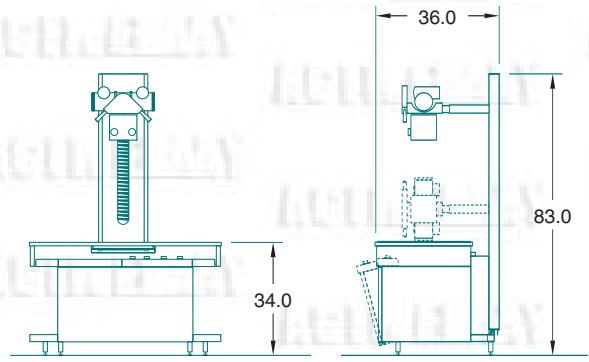
### Best Choice *DVChoice™* Digital Specifications:

- Digital images viewed in 7 to 10 seconds
- 19" Flat panel monitor
- APR technique selection on display screen
- Exposure activated on display or by foot-activated switch.
- 2.88 LPI (Line Pairs per Inch) resolution
- 6.32 million pixel high quality resolution
- DICOM compliant images
- User friendly image enhancing and processing

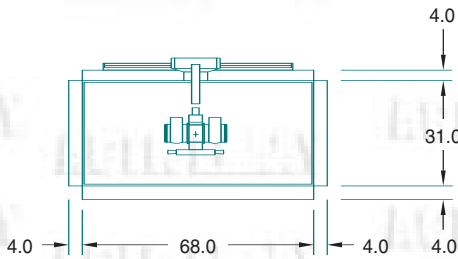
# AVChoice™ ... Imaging Solutions for Today and Beyond



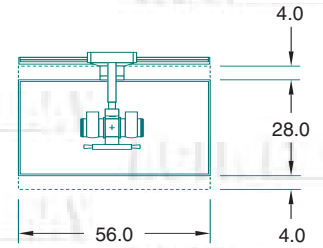
AVChoice™ & AVChoice™ Plus



AVChoice™ & AVChoice™ Plus



AVChoice™ Plus 4



AVChoice™ & AVChoice™ Plus



	✓	CR	✓		✓	✓	✓	✓	✓	✓	✓		
	✓	CR	✓		✓	✓	✓	✓	✓	✓	✓	✓	
	✓	CR	✓		✓	✓	✓	✓	✓	✓			✓
	✓	CR		✓	✓	✓	✓	✓	✓		✓		
	✓	CR		✓	✓	✓	✓	✓	✓		✓		
	✓	CR		✓			✓	✓	✓			✓	
	✓	CR		✓			✓	✓	✓			✓	
	✓	CR		✓			✓	✓	✓				✓
		CCD		✓	✓		✓	✓	✓		✓		
		CCD		✓	✓		✓	✓	✓			✓	
		CCD		✓	✓		✓	✓	✓				✓
AVChoice™ 400	✓	CR	✓		✓	✓	✓	✓	✓	✓	✓		
AVChoice™ 400 Plus	✓	CR	✓		✓	✓	✓	✓	✓	✓		✓	
AVChoice™ 400 Plus 4	✓	CR	✓		✓	✓	✓	✓	✓	✓			✓
AVChoice™ HF	✓	CR		✓	✓	✓	✓	✓	✓		✓		
AVChoice™ HF Plus	✓	CR		✓	✓	✓	✓	✓	✓			✓	
AVChoice™ HF Plus 4	✓	CR		✓	✓	✓	✓	✓	✓				✓
AVChoice™ HF-AP	✓	CR		✓			✓	✓	✓		✓		
AVChoice™ HF-AP Plus	✓	CR		✓			✓	✓	✓			✓	
AVChoice™ HF-AP Plus 4	✓	CR		✓			✓	✓	✓				✓
DVChoice™		CCD		✓	✓		✓	✓	✓		✓		
DVChoice™ Plus		CCD		✓	✓		✓	✓	✓			✓	
DVChoice™ Plus 4		CCD		✓	✓		✓	✓	✓				✓

Made in U.S.A. – An ISO 13485 Certified Facility



www.delmedical.com



Serving the Veterinary Profession for Over 75 Years.

11550 West King Street • Franklin Park, IL 60131 • Phone 800.800.6006 • Fax 847.288.7011

# *DVChoice™ & AVChoice™*

D e d i c a t e d V e t e r i n a r y  
I m a g i n g S y s t e m s



Digital, CR and Analog  
Imaging solutions  
for any size patient —  
and any size budget.

*Universal*



# Universal... We See Things Differently & It Shows In Your Image

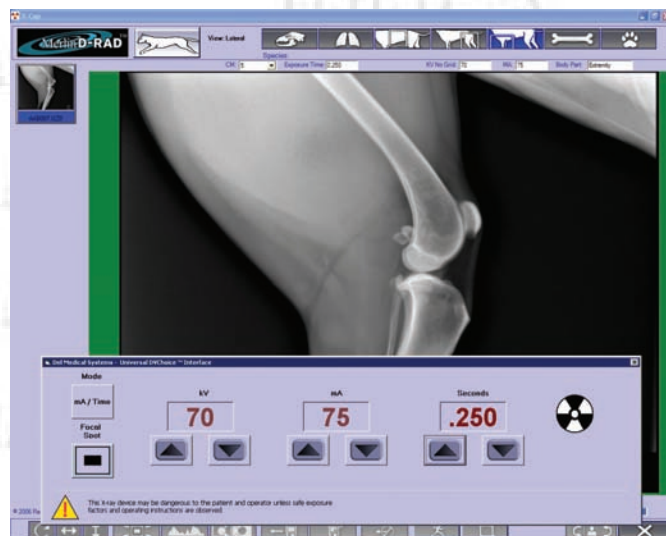
Imagine a veterinary x-ray system so adaptable that it fits any office, any need and any budget. Universal's *DVChoice™* & *AVChoice™* does all of this and provides superior image quality across a wide range of large and small animal studies.

As a product family, Universal's veterinary x-ray systems require minimal floor space and are available in twelve different configurations — one of which is right for your practice or hospital.



## *DVChoice™* – Best Choice, Digital Imaging

- **Digital Imaging at its' best**, highest quality images accomplished with 19" flat panel display that conveniently mounts on a swivel arm off table in order to increase diagnostic and operator efficiency
- **500 mA, 125 kVp high frequency generator with anatomical programming** enhances digital image by reducing exposure time. The 500 mA output can increase image quality as compared to 300 mA generators.
- **A robust welded construction table base supports a tubestand that is fixed at a 40" SID and moves along the table base.** Stainless steel bearings ensures years of smooth movement and long service life in an environment of animal hair.
- **CCD digital receptor is coupled with the tubestand** so that the beam is centered. With the movement of the CCD digital receptor along the length of the table, there is minimal need to move the patient for positioning to the beam. The tubestand and CCD digital receptor can be disengaged for angled views that provide flexibility for non-routine exams.
- **Choice of stationary, two way float or four way float table top** further optimizes positioning of the patient in the imaging path.



Technique selection and image shown on display screen.



Built-in spare light bulb, SID measuring tape, 60 second light timer and swivel mount are standard with all AVChoice™ systems.



Conveniently located, easy-to-read digital display of mAs & kVp with SurePrep LED.



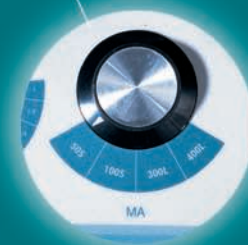
Exclusive urine trap feature surrounds the entire table top, virtually eliminating fluids from running off the sides.



A standard, built-in cassette box eliminates the time wasted and operator fatigue of walking back and forth.



With SurePrep circuitry you simply tap the foot switch to begin a prep cycle and turn on the collimator light, position the animal, then depress the foot switch again to produce the x-ray.



From finches to St. Bernards, our four standard mA stations allow you to image them all.

## AVChoice™ 400 Single Phase

■ **A powerful 400 mA, 125 kVp single phase generator** is fully integrated into the table to provide a cost-effective and time-saving solution for the veterinarian who seeks maximum capability in minimal space.

■ **Not 2 – Not 3 – But 4 mA Stations!** Unlike those that imitate us, we don't make you choose between a low mA station for avian studies, exotics and small animals, or a high mA station for the larger animals. You get both — a 50 mA and a 400 mA — with 100 mA and 300 mA in-between!

■ **Tilt-out control panel** makes all generator controls quickly accessible and reduces operator errors and set-up time. Yes, it is fully water and fluid proof.

■ **Universal's exclusive SurePrep** circuitry eliminates the hassles and frustrations associated with the traditional two-stage footswitch and manual actuation of the collimator light, while removing the guess work of knowing when an exposure can be initiated.

■ **A lead-lined cassette storage box** built into the table front allows the clinician to remain at the table while changing cassettes during multi-view procedures. This unique feature not only saves time, but also wear and tear on the clinician as it greatly reduces the amount of walking back and forth during a procedure.

## AVChoice™ Table Configurations

- Designed for those practitioners that want a rugged, yet economical, system that will perform for many years to come — the basic *AVChoice™* table configuration provides a stationary top with our exclusive urine trap feature, a movable tubestand and variable SID that allows the tube to be positioned down to table-top level to facilitate fluid level studies and other standing lateral procedures.
- The *AVChoice™* Plus provides a two-way float top table system that offers a total of eight inches of cross-table travel (4" to the back of center and 4" to the front) with all of the exclusive and unique features of the basic *AVChoice™*. This system provides many of the benefits associated with a four-way float top table system at a more economical price.
- The *AVChoice™* Plus 4 provides the veterinarian with the first four-way float top system, with integrated generator, dedicated to veterinary radiography. It adds longitudinal table top movement of eight inches (4" left and 4" right) to the eight inches of cross-table movement of the *AVChoice™* Plus. And the *AVChoice™* Plus 4 comes with a 31" x 68" table top surface to ensure that even the largest patients can be comfortably accommodated.



**AVChoice™ HF Plus 4**  
4-way float top with  
high-frequency generator  
mounted at the tube  
angulation assembly.

## AVChoice™ High Frequency

All *AVChoice™* table configurations listed above are available with a fully integrated 500 mA high frequency generator in place of the 400 mA single phase generator.

The *AVChoice™* HF series offers all the features of the *AVChoice™* single-phase series (with the exception of the lead-lined cassette box) along with the higher mR/mAs, state-of-the-art, high frequency technology. This provides the veterinarian with a top-of-the-line radiology suite that is truly a cut above the rest.

The operator control panel of the *AVChoice™* High Frequency generator with manual technique setup is completely integrated into the tube angulation assembly, which affords the operator the ease of positioning the control panel to eye level for convenient technique selection.

The *AVChoice™* HF series provides the veterinarian with increased mR/mAs for a given kVp when compared to single phase generators. This provides the clinician the choice of either reducing exposure times or using the extra penetrating power to radiograph the extremely large patient.

**AVChoice™ HF-AP**  
control console with  
anatomical programming  
mounts on a wall bracket  
close to the table.



## Improved Diagnostics and Safety for Less

*AVChoice™* provides you the ease and comfort of patient positioning normally associated with human medical systems that cost thousands of dollars more and require more floor space. Patient and operator safety has been our number one concern with the design of the complete family of Universal veterinary imaging systems.