

QDR[®] 4500 Elite

with QDR for Windows[®]

Specifications

*Modularity to Meet
Your Evolving Needs*




HOLOGIC[®]

QDR® 4500 Elite

with QDR for Windows®

Whether you're conducting major research or just beginning to incorporate bone densitometry into your clinical practice, Hologic has a high-performance system to suit your needs. The QDR 4500 family of clinical fan-beam bone densitometers lets you take advantage of advanced technology in a simple-to-use modular system. The QDR 4500 family offers high-quality imaging, high speed, unmatched precision and modularity to meet your evolving clinical requirements today and in the future.

QDR 4500 Series Upgrade Path	Body Composition Analysis†		Research Applications†
	Whole Body		Body Composition Analysis†
			Whole Body
Decubitus Lateral BMD†	Decubitus Lateral BMD†	Supine Lateral BMD	Supine Lateral BMD
Prosthetic Hip†	Prosthetic Hip†	Prosthetic Hip†	Prosthetic Hip†
Forearm	Forearm	Forearm	Forearm
Dual Hip	Dual Hip	Dual Hip	Dual Hip
Lumbar Spine	Lumbar Spine	Lumbar Spine	Lumbar Spine
QDR 4500 C	QDR 4500 W	QDR 4500 SL	QDR 4500 A

†Optional

QDR 4500 Product Specifications

Scanning method:

X-ray fan beam, utilizing motorized table and C-arm

X-ray System:

Switched-pulse dual-energy (140 kVpeak)

Detector System:

Multi-element detector array

Scatter Dose:

Less than 1.0 mR/hr (0.01mSv/hr) nominal measured at 2.0m from the examination table for most scan modes

External Shielding:

None required*

BMD Precision:

<1.0%

Calibration:

Self-calibrating using patented HOLOGIC Automatic Internal Reference System

■ Automated Quality Control program ■ Operator calibration *not* required

Operating Requirements:

TEMPERATURE: 60°-90°F (15°-32°C)

POWER: 100VAC (16A)/120VAC (14A)/230VAC (8A)

HUMIDITY: 20%-80% relative humidity, noncondensing

AVERAGE HEAT LOAD: 3,400 BTU/hr

Table Height:

71cm (28in)

Standard Hardware Configuration:

Computer worktable with: 800MHz (min) Pentium III CPU ■ 20GB (min) hard drive ■ 128MB (min) RAM ■ 3.5in 1.44MB floppy drive ■ 104 key enhanced keyboard ■ Mouse, pad and shelf ■ 4MB (min) video board ■ 56K (min) modem ■ 17in monitor with 1,280 x 1,024 screen resolution and 0.28 dot pitch ■ HP Professional Color DeskJet® printer ■ 3.5in LS120 Superdisk Drive ■ CD ROM

Standard Software Configuration:

QDR for Windows® Operating System ■ NHANES Standardized Hip Reference Database ■ QDR OnePage Report ■ Context Sensitive Help ■ Fracture Risk Indication ■ OneTime™ Auto Analysis ■ Scan/Analysis Protocols for AP lumbar spine, proximal femur, Dual Hip, forearm, scoliotic spine, low density spine, low density hip, pediatric spine

Optional Hardware:

Magneto Optical Disk Storage ■ HP LaserJet® B&W printer ■ Modem ■ Network ■ QDR4500 Stand-alone Workstation

*Installation requirements for X-ray equipment vary. Check with local regulatory authorities.

QDR 4500 Typical Performance (60 Hz)*

	QDR 4500 C		QDR 4500 W		QDR 4500 SL		QDR 4500 A	
Exam	ScanTime	Exposure	Scan Time	Exposure	Scan Time	Exposure	Scan Time	Exposure
Lumbar Spine	30s	10mR	30s	10mR	30s	10mR	30s	10mR
Hip	30s	10mR	30s	10mR	30s	10mR	30s	10mR
Supine lateral BMD					120s	35mR	120s	35mR
Forearm	30s	10mR	30s	10mR	30s	5mR	30s	5mR
Whole Body			6.8min	1.5mR			180s	1mR

*50Hz and other scan modes available.

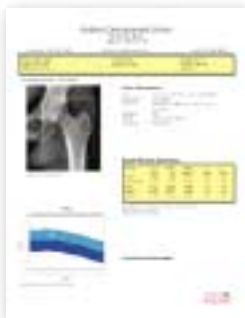
Specifications According to Model

	QDR 4500 C	QDR 4500 W	QDR 4500 SL	QDR 4500 A
Scan Sites	<ul style="list-style-type: none"> AP lumbar spine Dual hip Forearm 	<ul style="list-style-type: none"> AP lumbar spine Dual hip Forearm Whole body 	<ul style="list-style-type: none"> AP lumbar spine Dual hip Forearm Supine lateral lumbar spine 	<ul style="list-style-type: none"> AP lumbar spine Dual hip Forearm Supine lateral lumbar spine Whole body
Scan Region	38" x 20" (96cm x 51cm)	77" x 26" (195cm x 65cm)	38" x 26" (96cm x 65cm)	77" x 26" (195cm x 65cm)
Footprint	76.0" x 41" (1.93m x 1.05m)	79.5" x 41" (2.02m x 1.05m) 119" x 59" (3.02m x 1.50m) (table extended)	79.5" x 41" (2.02m x 1.05m) 79.5" x 59" (2.02m x 1.50m) (C-arm rotated, table extended)	79.5" x 41" (2.02m x 1.05m) 119" x 59" (3.02m x 1.50m) (C-arm rotated, table extended)
System Weight	<ul style="list-style-type: none"> Table/C-arm 650lb (295kg) Control console 150lb (68kg) 	<ul style="list-style-type: none"> Table/C-arm 680lb (310kg) Control console 150lb (68kg) 	<ul style="list-style-type: none"> Table/C-arm 800lb (365kg) Control console 150lb (68kg) 	<ul style="list-style-type: none"> Table/C-arm 800lb (365kg) Control console 150lb (68kg)
Optional Software	<ul style="list-style-type: none"> General Region of Interest DICOM Prosthetic Hip Physicians Report Writer Decubitus Lateral BMD 	<ul style="list-style-type: none"> General Region of Interest DICOM Prosthetic Hip Physicians Report Writer Body Composition Analysis Decubitus Lateral BMD 	<ul style="list-style-type: none"> General Region of Interest DICOM Prosthetic Hip Physicians Report Writer 	<ul style="list-style-type: none"> General Region of Interest DICOM Prosthetic Hip Physicians Report Writer Body Composition Analysis Small Animal

Elite Value-Added Package *Now standard on all QDR4500 systems*

QDR OnePage

Combines image, scan analysis and reference curves into a concise, easy-to-read, visually impressive, single-page reports. Customize with your clinic's name, address and phone numbers. Saves time and materials.



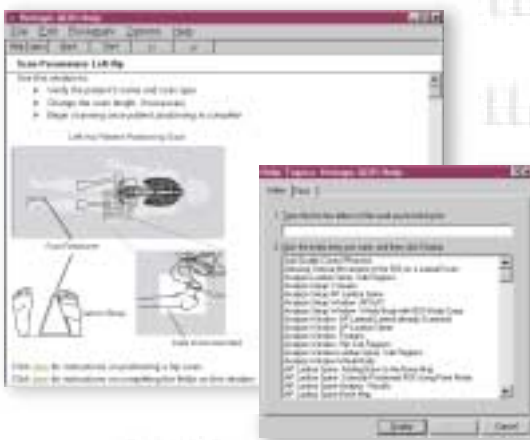
Standard Patient Report with Reference values



Rate of Change Report

Context Sensitive Help

The text and graphics in *QDR for Windows* Help Menu provide an overview and virtual "walk through" of the QDR's operation and capabilities. A single click on a topic button produces instructions on scanning, analysis, and data management.



Practice Development Guide

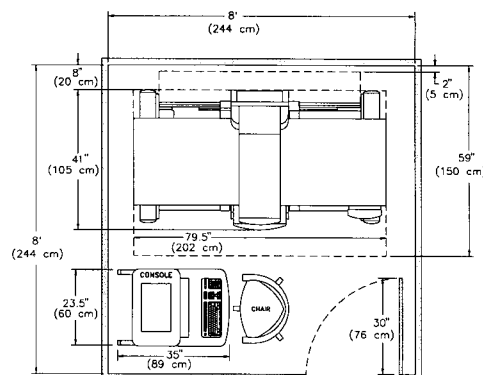
Helps you promote your bone densitometry services to patients and referring clinicians. Includes ready-to-print brochures, ads, mailers and other promotional/educational aids.



QDR[®] 4500 Elite

with QDR for Windows[®]

Specifications



The QDR 4500 Series packs a lot of performance in a small footprint. Operating from existing power sources, the QDR 4500C (shown above) and QDR 4500SL fit comfortably in an 8ft x 8ft exam room (8ft x 10ft for the QDR 4500A and QDR 4500W) and require no protective shielding or special room preparations.

Other Exclusive Hologic Features

- **NHANES Reference Database**—selected by the International Committee for Standards in Bone Densitometry as the standardized hip reference data for the United States.
- **Patient Rescan** eliminates need to reposition patients. Saves time and assures patient comfort.
- **Reanalysis**—reanalyze data, even a year or more later, without rescanning
- **Scoliotic Spine Analysis** tailors vertebral BMD assessment to the unique curvature of patients with scoliosis
- **Automatic Bone Mapping** calculates the soft tissue and bone map of any scan without operator involvement
- **Automatic Locate** records and monitors the location of patient data saved to a storage media, eliminating the need to log patient data.



HOLOGIC, INC.

North and South America,
Pacific Rim
35 Crosby Drive, Bedford, MA
01730-1401
Tel: 781.999.7300
Sales Fax: 781.280.0668
www.hologic.com

Europe
Horizon Park
Leuvensteenweg 510, BUS 31
1930 Zaventem, Belgium
Tel: 32.2.711.4680
Fax: 32.2.725.2087