



In designing our Phantom System, DynaRad addressed your professional demands



- ▶ SUPERIOR IMAGE QUALITY
- ▶ HIGH FREQUENCY OUTPUT
- ▶ MICROPROCESSOR CONTROL
- ▶ ELECTRONIC REGULATION OF KV
AND mA
- ▶ EXTREMELY LIGHTWEIGHT
- ▶ IDEAL FOR HOME HEALTHCARE

and... portability



The DynaRad Concept in Portable Radiography

When portability, performance and cost are important, DynaRad has the answer. DynaRad portables are the first choice for incomparable image quality at a price that meets cost containment goals.

DynaRad portables are designed for years of reliable, low maintenance operation and are ideally suited for radiographic applications, ranging from home healthcare to hospital-quality imaging performed anytime...anywhere.



DYNARAD

An ISO 9001 Company

DYNARAD CORPORATION

19 Jefryn Boulevard West, Deer Park, NY 11729

(800) 242-7410 • (516) 242-5550

Fax: (516) 242-0211

A DEL Global Technologies Company



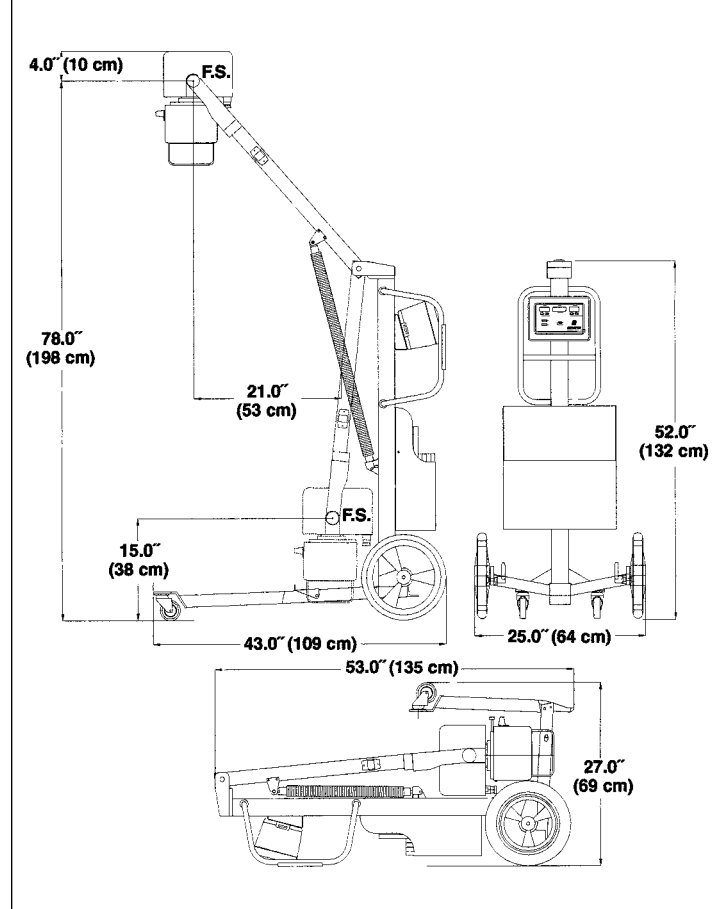
Phantom Portable X-ray System

ELECTRICAL SPECIFICATIONS

Generator Type:	High frequency inverter, 1.25 kilowatt output.
kVp Range:	50-100 kVp continuously adjustable, with 1 kVp resolution.
mA Range:	Fixed, 12.5 mA, constant independent of kVp or time settings.
Exposure Time:	0.01 to 4.0 seconds in 96 increments.
Indicators:	Ready, X-ray on. Digital display of kVp, mAs and time.
Exposure Switch:	Detachable hand switch, two position, prep and x-ray on.
X-ray Tube:	Stationary anode, 100 kVp.
Filtration:	2.7 mm of aluminum at 100 kVp(min.).
Target Material:	Tungsten.
Anode Capacity:	25,000 heat storage capacity.
Focal Spot:	1.0 mm (NEMA).
Beam Angle:	15°
Collimator:	P180HS-G
Lamp Source:	30 second timer.
Tape Measure:	For SID distance.
Inclinometer:	For angle measurement.
Electrical Requirements:	115 VAC, 50 Hz. or 60 Hz., or 230 VAC, 50 Hz. or 60 Hz.

MECHANICAL SPECIFICATIONS

Maximum Focal Spot to Floor:	78" (198 cm)
Minimum Focal spot to Floor:	15" (38 cm)
Horizontal Extension of Focal Spot:	21" (53 cm)
Rotation About Horizontal Axis:	360°
Rotation About Tube Axis:	270°



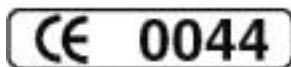
System Dimensions: Horizontal storage position-
*with front leg folded 25"W, 52"L, 27"H
(64 x 132 x 69 cm).

Vertical storage position-
52"H, 25"W, 27"L
(132 x 64 x 69 cm).

System Weight: Total System Net Weight
95 lbs. (43.2 kg)

Component Weight: PH-150-C Control
Cabinet-7 lbs. (3.2 kg)
PH-150-G X-ray
generator - 39 lbs. (17.7 kg)
PH - 150 - S Mobile stand-
40 lbs. (18.2 kg)
PH- 150 - D Cassette
drawer-9 lbs. (4.1 kg)

Certified to be in compliance with FDA regulations concerning general purpose portable x-ray system. Specifications subject to change without notice. For additional information contact your local x-ray dealer or DynaRad.



DYNARAD
An ISO 9001 Company

DYNARAD CORPORATION

19 Jefryn Boulevard West, Deer Park, NY 11729

(800) 242-7410 • (516) 242-5550

Fax: (516) 242-0211

A DEL Global Technologies Company